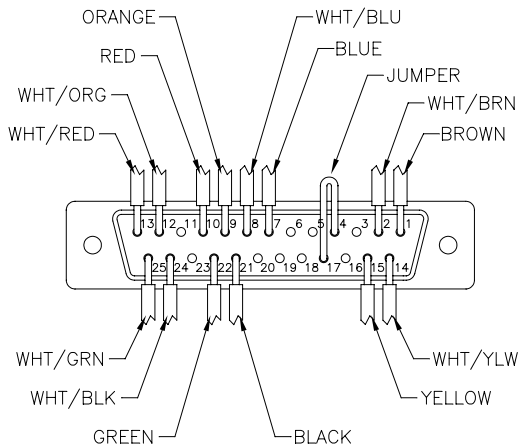


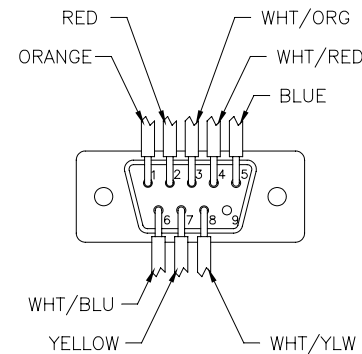
25 PIN WIRING DETAIL



	SHIELD = SHELL GND
PR #1 <	ORANGE = 9 TEC+
	WHT/ORG = 12 TEC-
PR #2 <	RED = 10 TEC+
	WHT/RED = 13 TEC-
PR #3 <	BLUE = 7 TEC+SNS
	WHT/BLU = 8 TEC-SNS
PR #4 <	YELLOW = 15 RT+
	WHT/YLW = 14 RT-
PR #5 <	BROWN = 1 RT+SNS
	WHT/BRN = 2 RT-SNS
PR #6 <	BLACK = 21 TEC+
	WHT/BLK = 24 TEC-
PR #7 <	GREEN = 22 TEC+
	WHT/GRN = 25 TEC-
JUMPER <	GREEN = 4 GND
	GREEN = 17 CBL ID1

CONNECTOR TYPE: DB-25 MALE


9 PIN WIRING DETAIL



	SHIELD = SHELL GND
PR #1 <	ORANGE = 1 TEC+
	WHT/ORG = 3 TEC-
PR #2 <	RED = 2 TEC+
	WHT/RED = 4 TEC-
PR #3 <	BLUE = 5 TEC+SNS
	WHT/BLU = 6 TEC-SNS
PR #4 <	YELLOW = 7 RT+
	WHT/YLW = 8 RT-

CONNECTOR TYPE: DB-9 FEMALE

00	6/15/05	CREATED & RELEASED	SAR
REV	DATE	DESCRIPTION	CHK
REVISIONS			

UNLESS OTHERWISE SPECIFIED: DIMENSIONS ARE IN INCHES	FINISH		
	MATERIAL		N/A
TOLERANCES: FRACTIONAL _____ DECIMAL .XX ± .02 DECIMAL .XXX ± .005 ANGULAR _____ HOLE TOL. _____	ILX PART		DESCRIPTION
	THIS DRAWING IS THE PROPERTY OF ILX LIGHTWAVE CORPORATION. IT IS FURNISHED TO YOU FOR CONFIDENTIAL INFORMATION PURPOSES ONLY AND IS NOT TO BE DISCLOSED TO ANYONE, REPRODUCED, OR USED FOR MANUFACTURING PURPOSES WITHOUT THE WRITTEN PERMISSION OF ILX LIGHTWAVE CORPORATION.		
DRAWN BY <i>S. Remington</i>	DATE 6/15/05	 Telephone: (406) 586-1244 31950 E. Frontage Rd. Bozeman, Montana 59715	
UPDATED BY	DATE		
DO NOT SCALE DRAWING	APPRV BY	DATE	SIZE B
AUTOCAD # CC595S	APPRV BY	DATE	TITLE CC595S WIRING DETAIL
			SCALE
			DWG. NO. CC595S
			REV 00
			SHEET 1/1